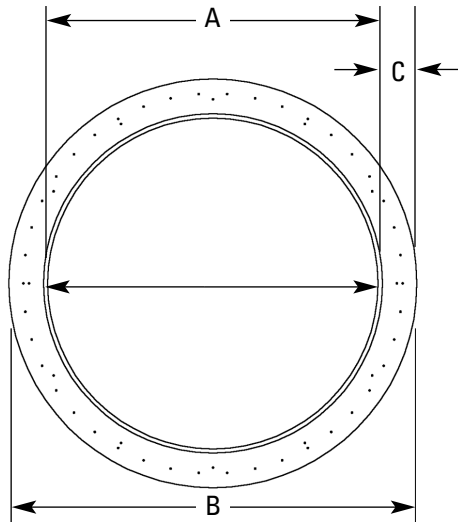


# PRTA ABS Tank Adapters

## Applications

PRTA tank adapters are used to provide a structural, water-tight method of installing a 24 in. (610 mm) or a 30 in. (762 mm) access riser over a tank opening.



Side view



Isometric view

## General


Orenco's PRTA tank adapters are molded plastic products and therefore have excellent part-quality and consistency. PRTA tank adapters can be cast into a tank or fastened to the top of the tank with a bolt-down kit. The bolt-down kit consists of either 6 or 12 concrete anchors (depending on model) and a roll of butyl sealant.

The O.D. of the vertical flange matches the I.D. of Orenco's ribbed risers, which provides a suitable joint to seal with MA320, ADH100, SS115, or SS140 adhesive.

## Standard Models

- PRTA24
- PRTA30
- PRTA24BDKIT (6 anchors)
- PRTA30BDKIT (12 anchors)

## Nomenclature

**PRTA** 

Riser diameter:  
 24 = 24" riser (Perma-Loc, Ultra-Rib, KOR FLO)  
 30 = 30" riser (Perma-Loc, Ultra-Rib)

ABS riser tank adapter

## Specifications

Dimensions	PRTA24	PRTA30
A - Outside diameter	23.5 in. (597 mm)	29.5 in. (749 mm)
B - Flange diameter	27.0 in. (686 mm)	35.0 in. (889 mm)
C - Horizontal flange width	1.75 in. (44 mm)	2.5 in. (64 mm)
D - Vertical flange height	3.25 in. (83 mm)	3.0 in. (76 mm)

The tank adapter has a nominal 1/4 in. (6 mm) thickness.

## Materials of Construction

Tank adapter: ABS

Bolt-down kit: stainless steel, butyl