

# Fiberglass Tank Adapter

Technical  
Data Sheet

## *FRTA30-FRP*

### Applications

Orenco's 30" molded fiberglass tank adapter is used to provide a structural, watertight bond when installing a riser over an Orenco FRP tank opening. This tank adapter is compatible with 30" Perma-Loc and Ultra-Rib pipe. It is designed to be glued onto an Orenco FRP tank (or onto a PRTA24, allowing it to accept a 30" riser).

### Features/Unique Specifications

To specify Orenco molded fiberglass tank adapters for your installation, require the following:

- Ability to create a structural, watertight joint
- Rugged, durable, corrosion-resistant construction
- For use on fiberglass (FRP) tanks

### Standard Models

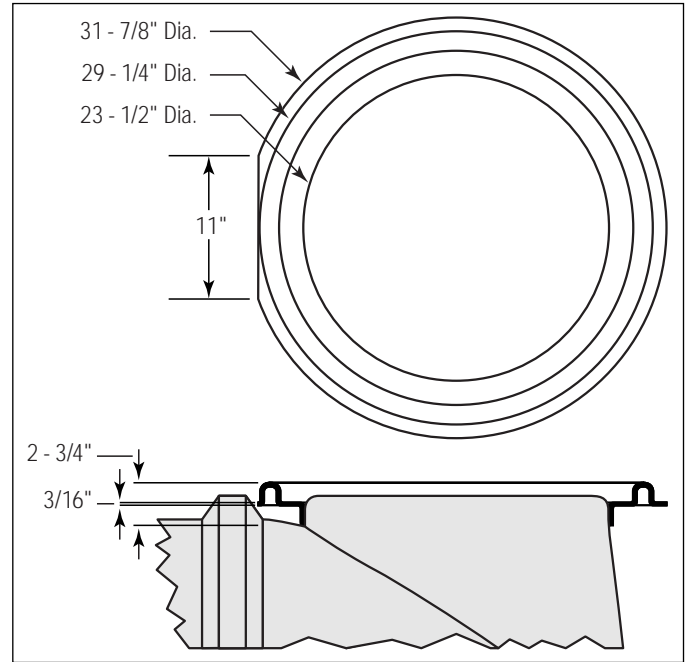
FRTA30-FRP: 30" fiberglass tank adapter for fiberglass tank

### Specifications

Dimensions are noted on the illustration. This adapter has a nominal 3/16" thickness.

### Materials of Construction

Fiberglass-reinforced polyester



**Orenco Systems®**  
Incorporated

*Changing the Way the  
World Does Wastewater®*

[www.orenco.com](http://www.orenco.com)

NTD-TA-FRTA  
Rev. 1.1, © 10/03  
Page 1 of 1